



AX3200 Tri-Band Wi-Fi 6 Router

Faster. Broader. Unstoppable.



Archer AX3200



3.2 Gbps
Tri-Band Speed[†]



2.5 Gbps
Wired Connectivity[§]



Advanced
Security with WPA3^{*}



Maximized
Coverage

Highlights

Wi-Fi 6[®] Faster. Broader. Unstoppable.

The Archer AX3200, with Wi-Fi 6 – based on the next generation 802.11ax Wi-Fi technology, takes your Wi-Fi to the next level while being backwards compatible with 802.11a/b/g/n/ac Wi-Fi standards.



Unrivaled Tri-Band Speed

The latest 1024-QAM and higher symbol rate combine to boost overall speeds up to an incredible 3.2 Gbps.[‡]



Ultra-Low Latency

OFDMA provides lower latency and less congestion to connect more devices and keep everything running smoothly.[‡]



Save Smart Devices' Power

Target Wake Time schedules the connection time of battery-powered devices to reduce their power consumption.^Δ



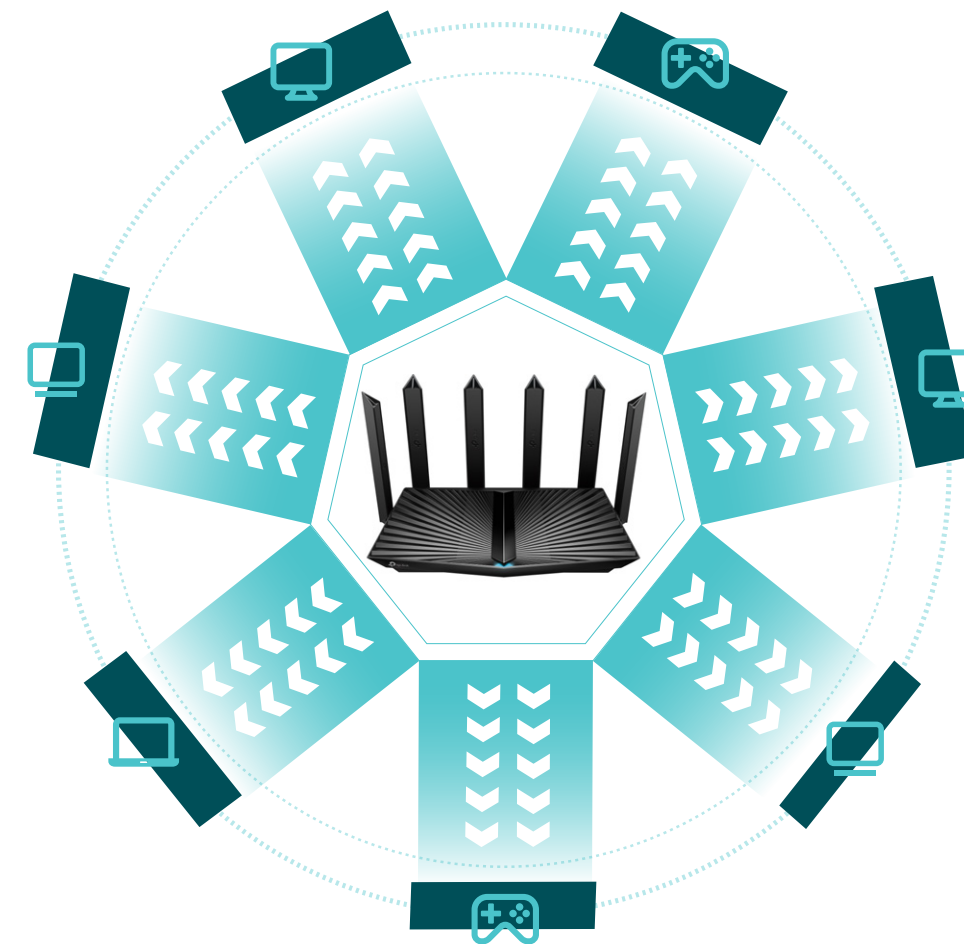
Backwards Compatible

Take your Wi-Fi to the next level while being backwards compatible with 802.11a/b/g/n/ac Wi-Fi standards.

7 Simultaneous Streams for More Devices

With more spatial streams, a router can send and receive more data from devices at the same time.

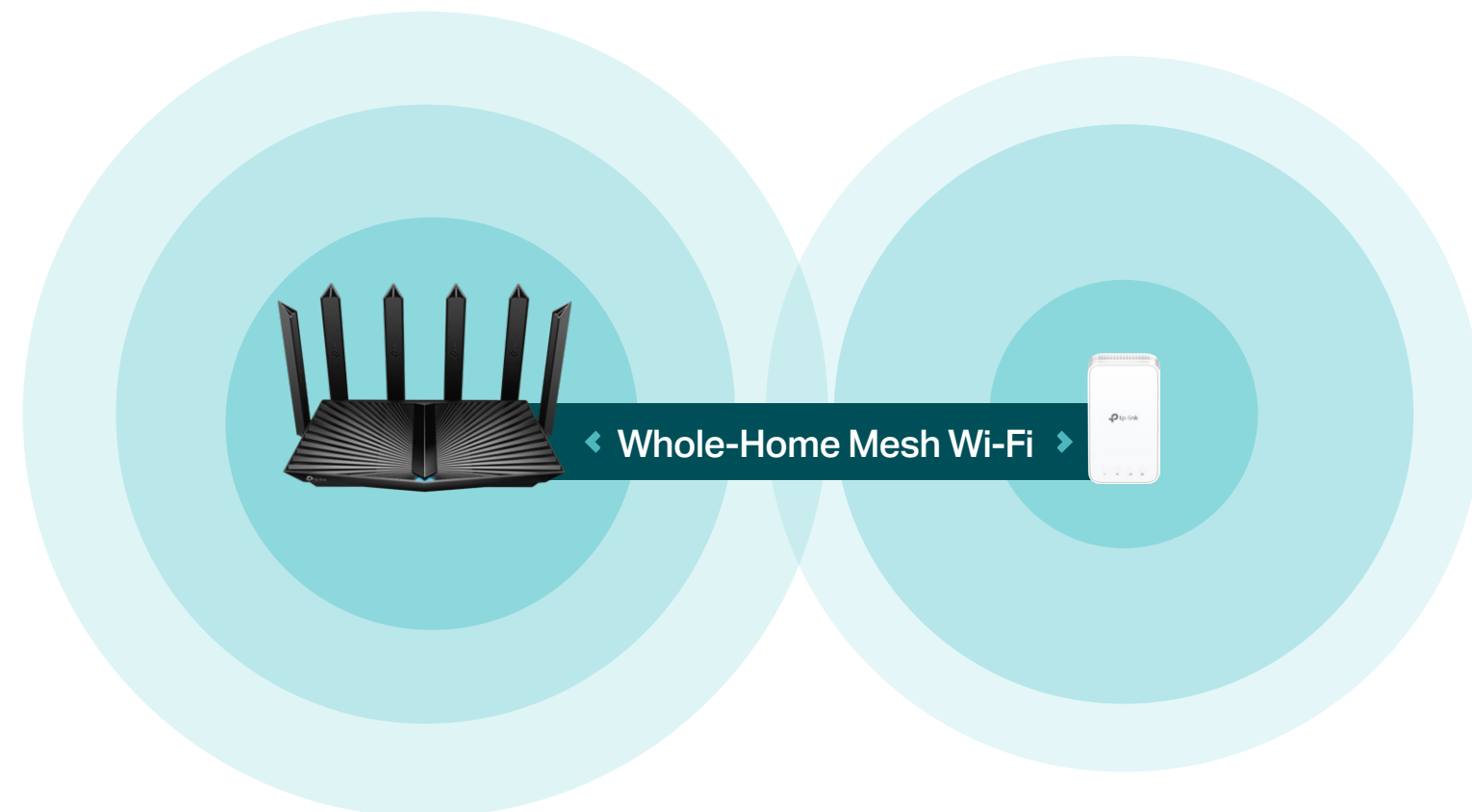
Archer AX3200 combines Tri-Band with Wi-Fi 6 to provide seven simultaneous data streams, opening up more bandwidth and helping your devices operate at full speed.[‡]



Highlights

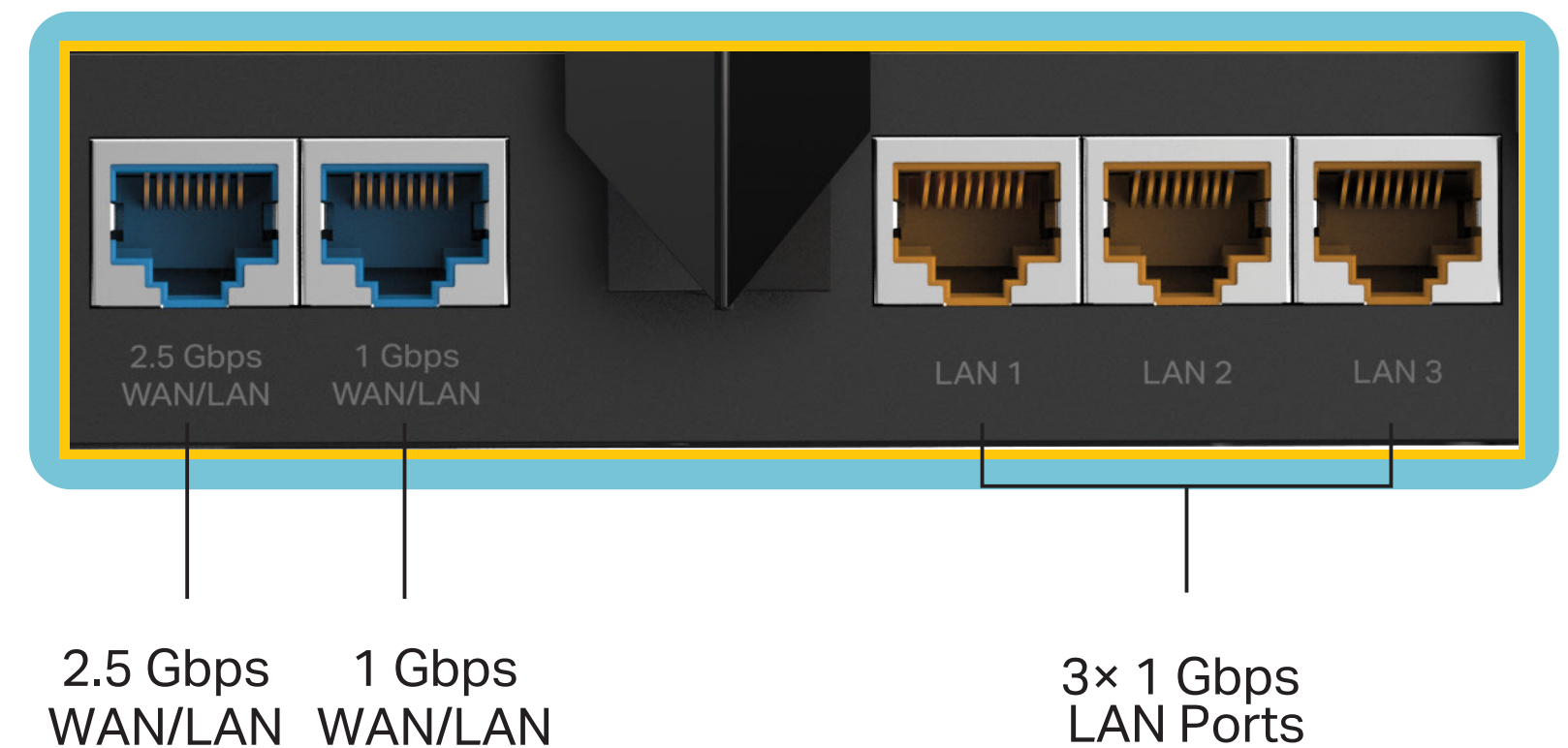
Flexible Whole-Home Wi-Fi

OneMesh™ is a simple way to form a Mesh network with a single Wi-Fi name for seamless whole-home coverage. Connect a OneMesh™ range extender to Archer AX3200 and never waste time searching for a stable connection again.



Superior Connectivity

Archer AX3200's 2.5 Gbps and 1 Gbps WAN/LAN ports offer you max flexibility and boosts your total internet throughput. Three gigabit LAN ports give you full control and blistering data transfer speeds for peak performance.[§]

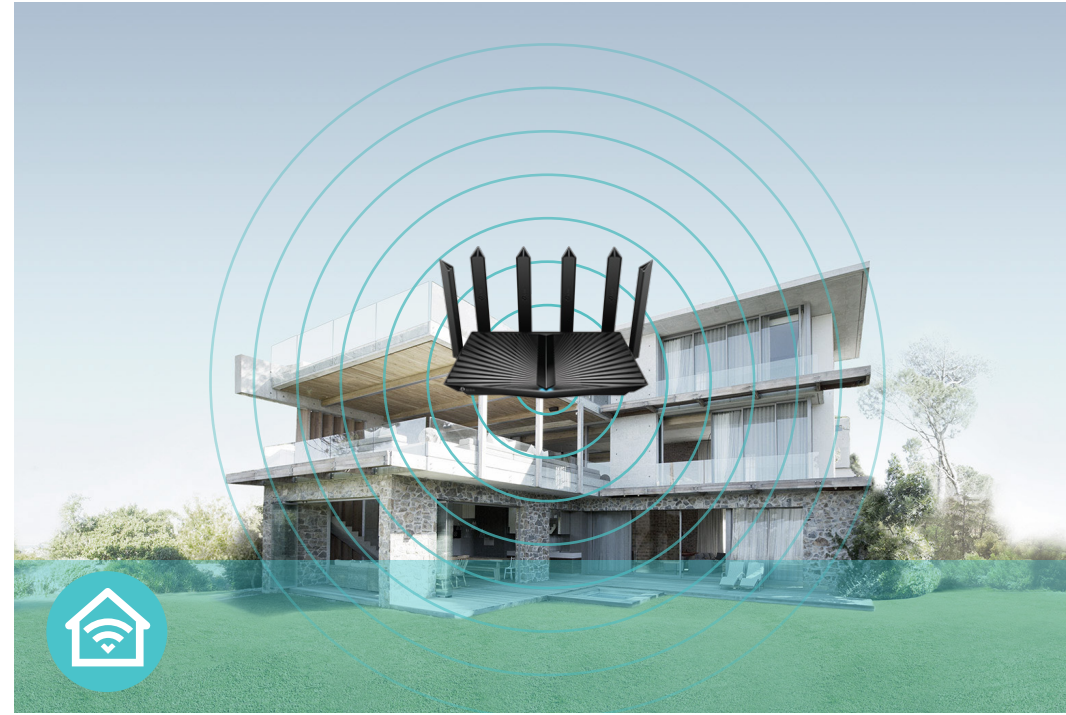


Features



Speed

- **Wi-Fi 6 Tech** – Wi-Fi 6 (802.11ax) features advanced technologies, including OFDMA, MU-MIMO, and 1024-QAM, drastically increasing the speed and efficiency of your entire network[†]
- **Ultimate Wireless Speed** – 574 Mbps on 2.4 GHz (Wi-Fi 6) + 1201 Mbps on 5 GHz-1 (Wi-Fi 6) + 1440 Mbps on 5 GHz-2 (Wi-Fi 6)[†]



Wi-Fi Range

- **Ultimate Range Wi-Fi** – 6 external antennas and 1 internal high-gain antenna deliver a Wi-Fi signal to every corner of your home, making all of your connections more efficient and stable
- **Beamforming Technology** – Concentrates Wi-Fi signals towards individual devices to ensure stronger connections



Reliability

- **Secure VPN Access** – Connects to a private network with a safe and secure OpenVPN and PPTP VPN connection
- **Airtime Fairness** – Balances bandwidth of connected devices to improve overall throughput and efficiency
- **Smart Connect** – Intelligently switches each device's connection to the optimum available Wi-Fi band

Features



Ease of Use

- Intuitive Web UI – Ensures quick and simple Installation without hassle
- Fast Encryption – One-touch WPA wireless security encryption with the WPS button
- Easy On/Off – Turn on/off wireless radio using the Wi-Fi button; turn on/off LEDs using the LED button
- Power On/Off – Conveniently power on or off your router as required
- Hassle-free Management with Tether App – Network management is made easy with the TP-Link Tether App, available on any Android and iOS device



Security

- Guest Network – Provides separate access for guests to secure your home network
- Parental Controls – Manage when and how connected devices can access the internet
- Encryptions for Secure Network – WPA-PSK, WPA2-PSK, and WPA3 encryptions provide active protection against security threats



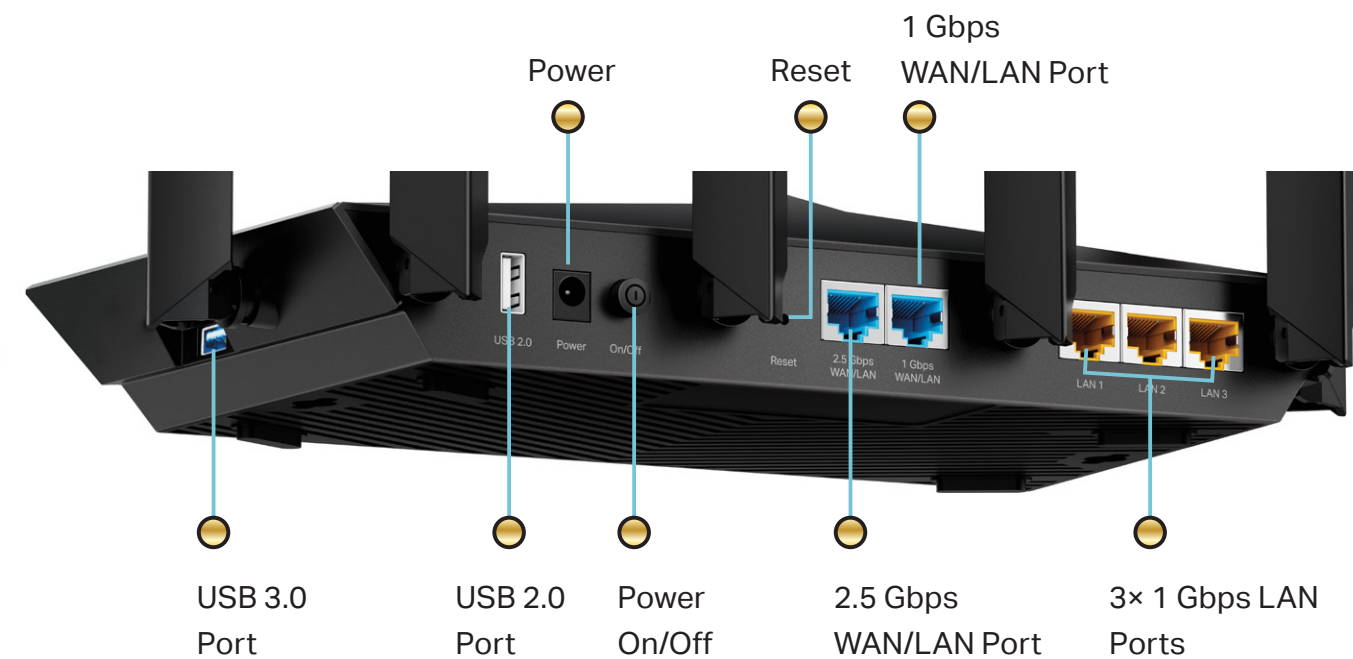
Easy Sharing

- USB Ports – Connects external storage devices to rapidly share files, photos, and videos
- Built-in Media Server – Allows you to play music, watch videos and view photos from any device on your network

Specifications

Hardware

- Ethernet Ports: 1× 2.5 Gbps WAN/LAN Port, 1× 1 Gbps WAN/LAN Port, 3× 1 Gbps LAN Ports
- USB Port: 1× USB 3.0 Port + 1× USB 2.0 Port
- Buttons: Wi-Fi Button, LED On/Off Button, WPS Button, Power On/Off Button, Reset Button
- Antennas: 6× External + 1× Internal High-Gain Antennas
- External Power Supply: 12V/3.3A
- Dimensions (W x D x H): 11.9 × 8.1 × 6.8 in (302.3 × 206.9 × 173.7 mm)



Wireless

- Wireless: 1440 Mbps on 5 GHz-2 (Wi-Fi 6) + 1201 Mbps on 5 GHz-1 (Wi-Fi 6) + 574 Mbps on 2.4 GHz (Wi-Fi 6), compatible with 802.11a/b/g/n/ac Wi-Fi standards[†]
- Frequency: 2.4 GHz, 5 GHz-1, 5 GHz-2
- Transmit Power:
FCC: < 30 dBm (2.4 GHz & 5.15 GHz~5.25 GHz & 5.725 GHz~5.825 GHz)
- Reception Sensitivity:
2.4 GHz:
11n HT20 MCS0:-95dBm, 11ac VHT20 MCS8:-72dBm,
11ac VHT40 MCS9:-68dBm, 11ax HE20 MCS11:-64dBm,
11ax HE40 MCS11:-62dBm
5 GHz-1:
11n HT20 MCS0:-92dBm, 11ac VHT20 MCS8:-69dBm,
11ac VHT40 MCS9:-65dBm, 11ac VHT80 MCS9:-62dBm,
11ax HE20 MCS11:-61dBm, 11ax HE40 MCS11:-58dBm,
11ax HE80 MCS11:-55dBm
5 GHz-2:
11n HT20 MCS0:-95dBm, 11ac VHT20 MCS11:-63dBm,
11ac VHT40 MCS11:-61dBm, 11ac VHT80 MCS11:-58dBm,
11ac VHT160 MCS11:-53dBm, 11ax HE20 MCS11:-61dBm,
11ax HE40 MCS11:-58dBm, 11ax HE80 MCS11:-55dBm,
11ax HE160 MCS11:-53dBm
- Wireless Function: Enable/Disable Wireless Radio, WMM, Wireless Statistics
- Wireless Security: WPA/WPA2, WPA-PSK/WPA2-PSK, WPA3 encryptions

Specifications

Software

- Quality of Service: Device Prioritisation
- WAN Type: Dynamic IP/Static IP/PPPoE/PPTP(Dual Access)/L2TP(Dual Access)
- Management: Access Control, Local Management, Remote Management
- DHCP: Server, DHCP Client List, Address Reservation
- Port Forwarding: Virtual Server, Port Triggering, UPnP, DMZ
- Dynamic DNS: DynDns, NO-IP, TP-Link
- Access Control: Parental Controls, Local Management Control, Host List, White List, Black List
- Firewall Security: DoS, SPI Firewall, IP and MAC Address Binding
- Protocols: IPv4, IPv6
- USB Sharing: Supports Samba(Storage)/FTP Server/Media Server
- Guest Network: 2.4 GHz, 5 GHz-1, 5 GHz-2
- VPN Server: OpenVPN, PPTP VPN

Others

- Certification:
FCC, RoHS
- System Requirements:
Microsoft Windows 98SE/NT/2000/XP/Vista™/7/8/8.1/10, MAC OS, NetWare, UNIX or Linux

Internet Explorer 11, Firefox 12.0, Chrome 20.0, Safari 4.0, or other Java-enabled browser

Cable or DSL Modem

Subscription with an internet service provider (for internet access)
- Environment:
Operating Temperature: 0°C~40°C (32°F ~104°F)
Operating Humidity: 10%~90% non-condensing
Storage Humidity: 5%~90% non-condensing
- Package Contents
Wireless Router Archer AX3200

Power Adapter

RJ45 Ethernet Cable

Quick Installation Guide



For more information, please visit

<http://www.tp-link.com/products/details/Archer-AX3200.html>

or scan the QR code left

Specifications are subject to change without notice. All the brands and product names are trademarks or registered trademarks of their respective holders.

¹Maximum wireless signal rates are the physical rates derived from IEEE Standard 802.11 specifications. Actual wireless data throughput and wireless coverage are not guaranteed and will vary as a result of network conditions, client limitations, and environmental factors, including building materials, obstacles, volume and density of traffic, and client location.

⁴Use of Wi-Fi 6 (802.11ax), and features including OFDMA, MU-MIMO, 1024-QAM, and HT160 require clients to also support the corresponding features. 1024-QAM is only available on 5 GHz-1 band and 2.4 GHz band.

⁵2.5 Gbps internet speeds require compatible service plans and equipment. 2.5 Gbps and 1 Gbps ports cannot be concurrently configured as WAN ports.

⁶Saving clients' battery power requires clients to also support the 802.11ax Wi-Fi standard. Actual power reduction may vary as a result of network conditions, client limitations, and environmental factors.

⁷Use of WPA3 requires clients to also support the corresponding feature.

⁸This router may not support all the mandatory features as ratified in Draft 3.0 of IEEE 802.11ax specification.

⁹Further software upgrades for feature availability may be required.

©2020 TP-Link